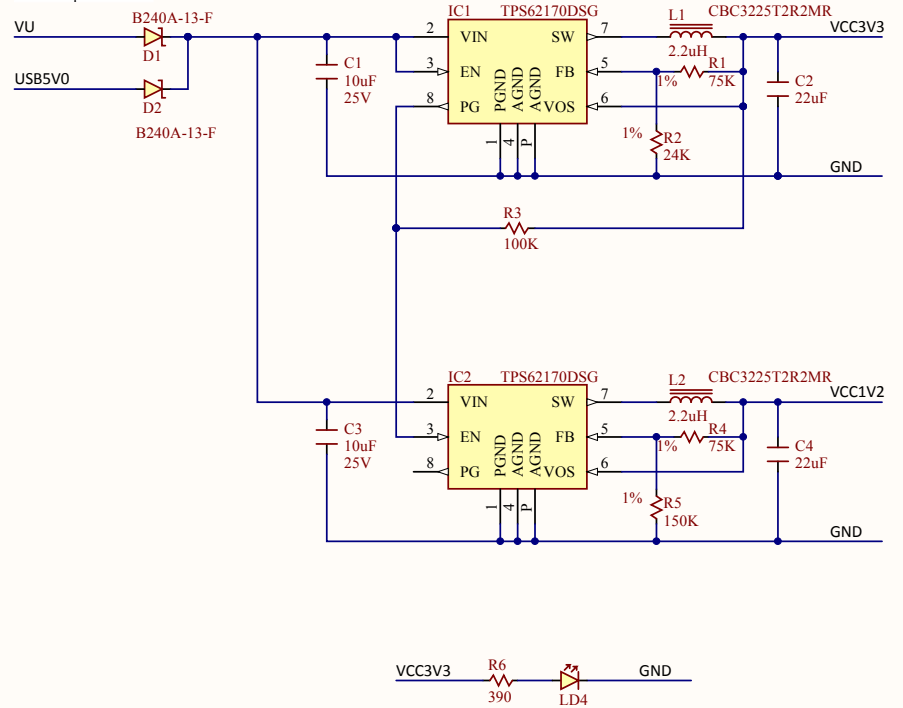
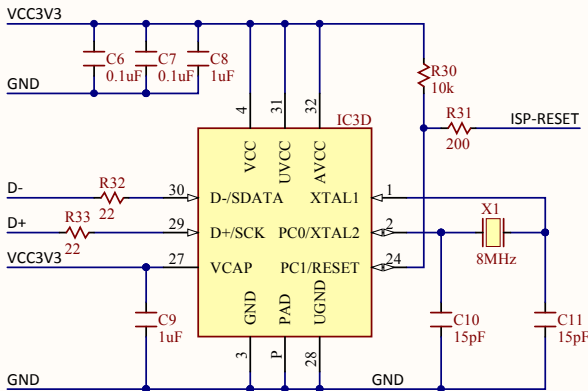
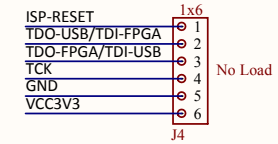
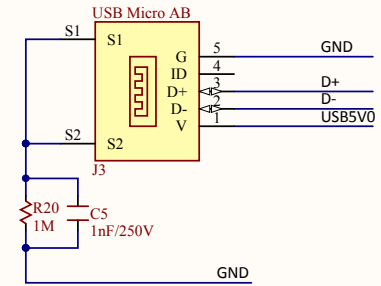
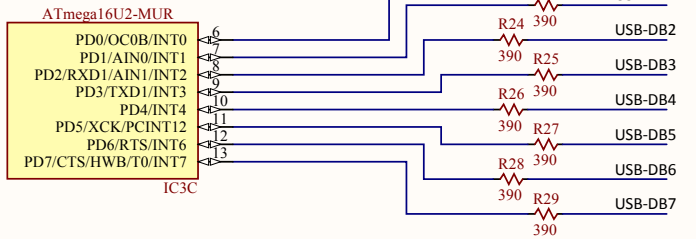
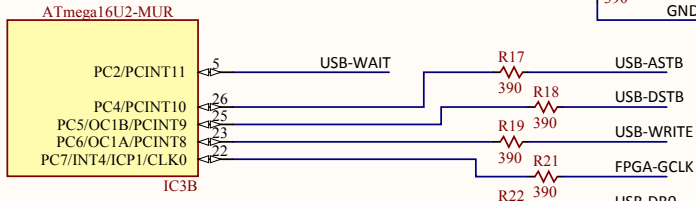
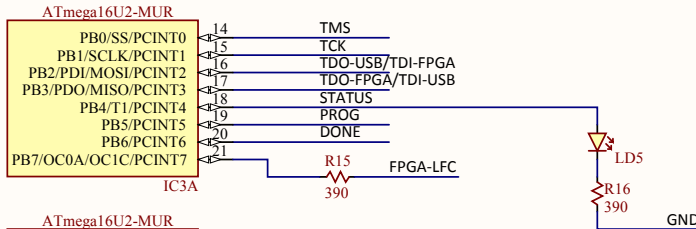


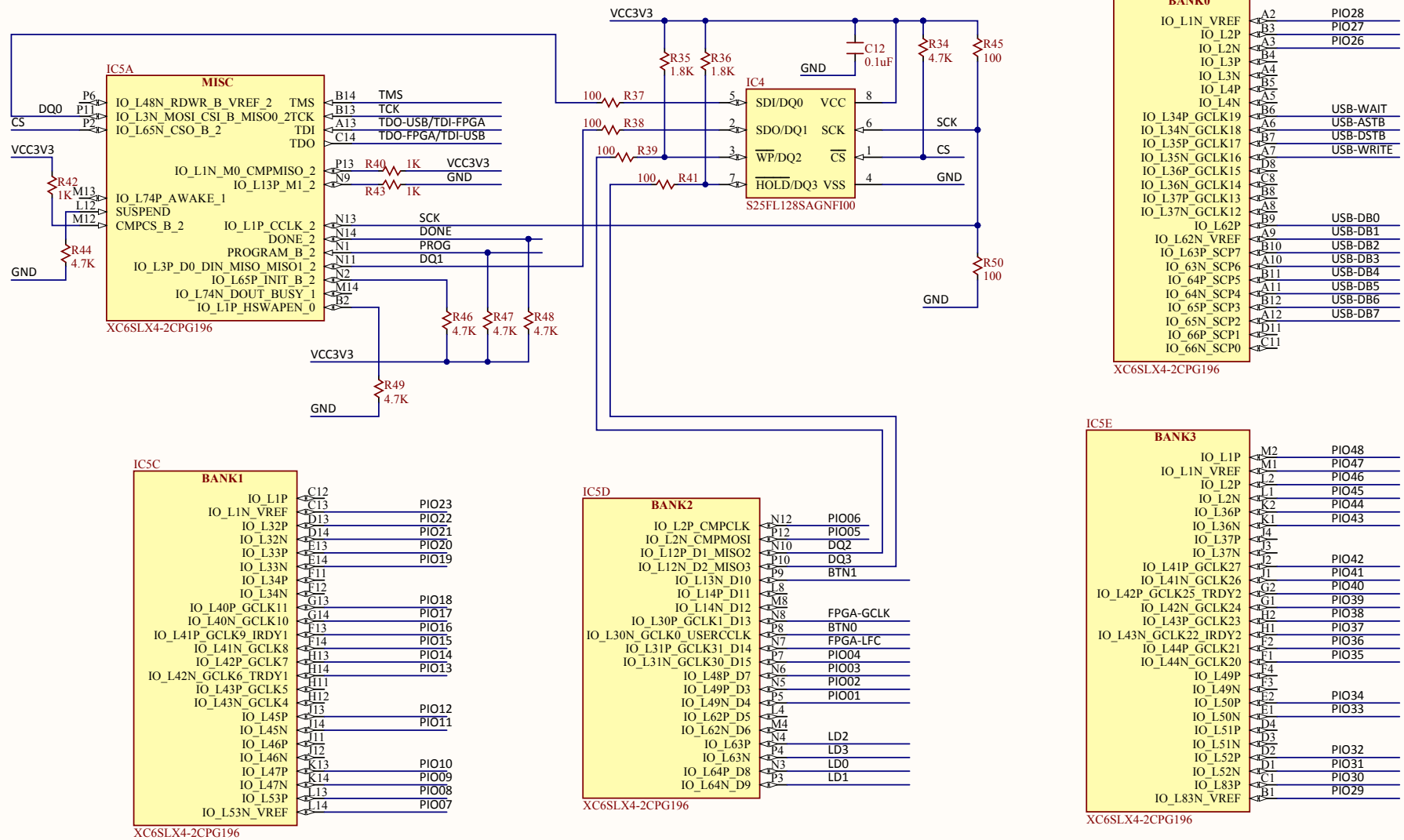
Note: VU must be between 5 and 15V for safe operation.




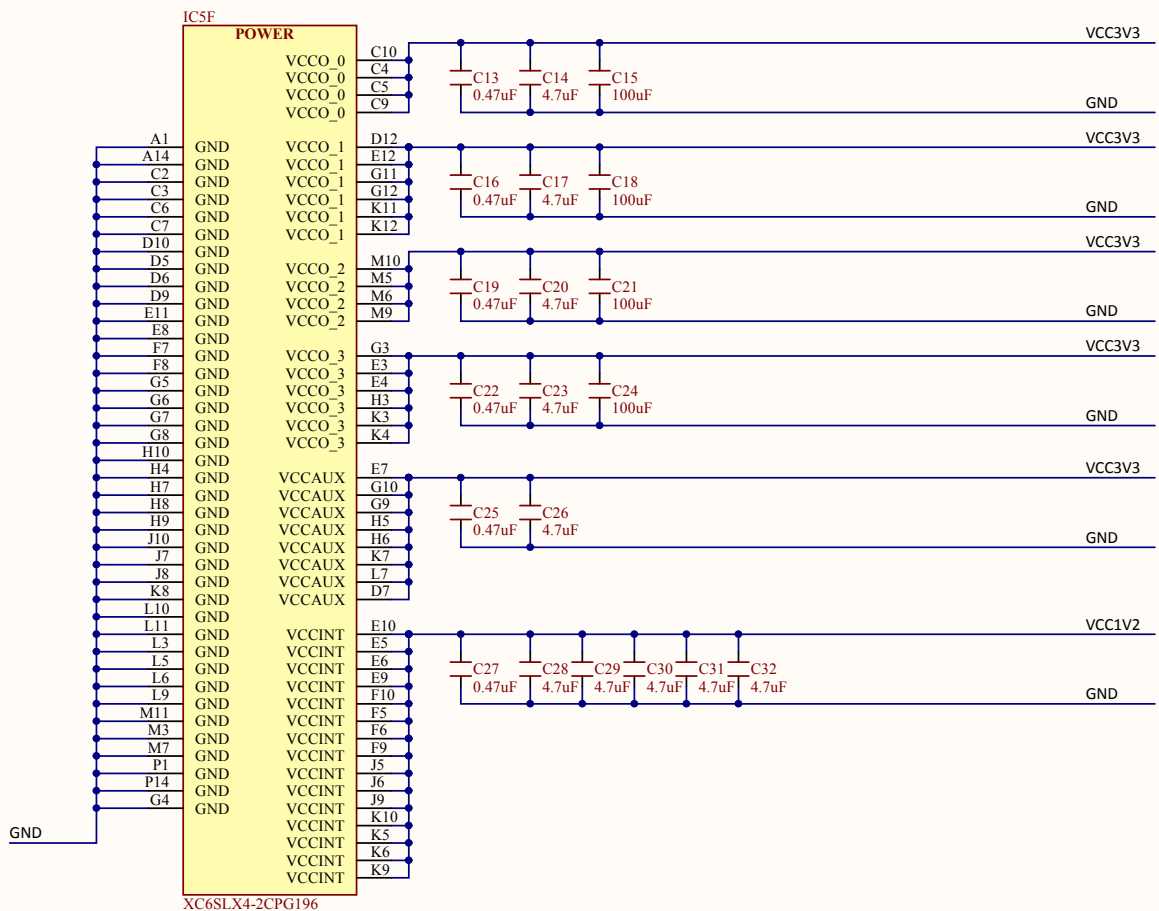
Title		Rev
Cmod S6		A.0
IO and Power		Copyright 2013
Doc#	500-282	
Engineer	MA	
Author	GMA	
Date	5/9/2013	
Sheet#	1 out of 4	




Title		Cmod S6		Rev	A.0
Circuit		Diligent USB		Copyright 2013	
Doc#	500-282				
Engineer	MA				
Author	GMA				
Date	5/9/2013				
Sheet#	2 out of 4				



Title <b>Cmod S6</b>		Rev <b>A.0</b> Copyright 2013
Circuit FPGA	Doc# 500-282	 BEYOND THEORY
Engineer MA	Author GMA	
Date 5/9/2013	Sheet# 3 out of 4	



Title		Rev	
Cmod S6		A.0	
		Copyright 2013	
Circuit	FPGA Decoupling		
Doc#	500-282		
Engineer	MA		
Author	GMA		
Date	5/9/2013		
Sheet#	4 out of 4		



**DIGILENT**  
BEYOND THEORY